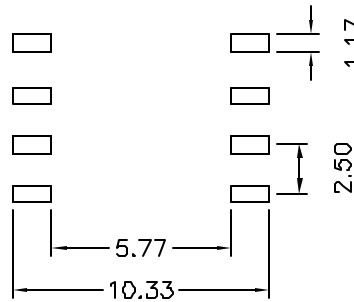
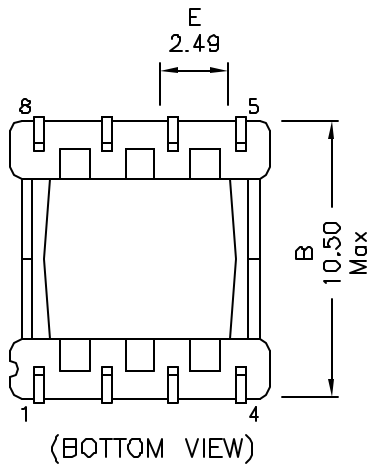
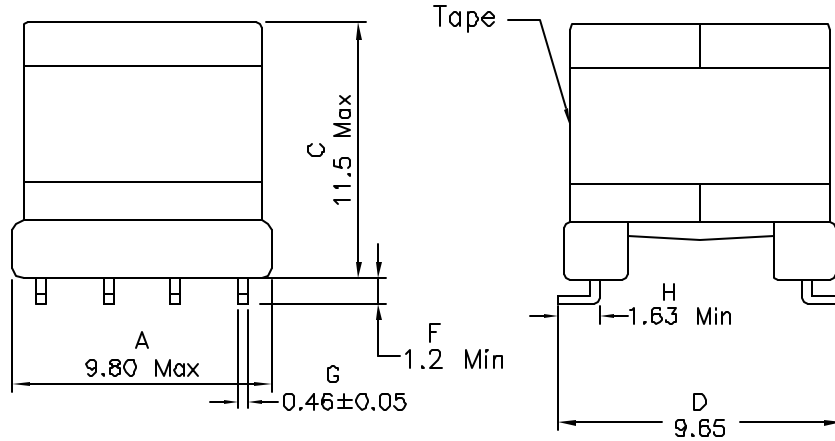


## 1. Mechanical Dimensions:



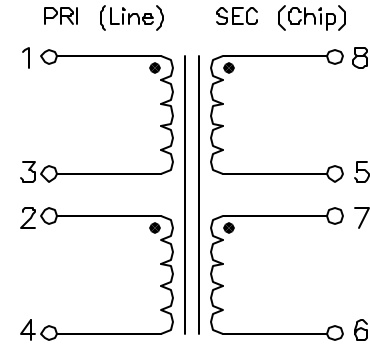
SUGGESTED PCB LAYOUT

Notes:

1. Solderability: Leads shall meet MIL-STD-202, Method 20BD for solderability.
2. Flammability: UL94V-0
3. ASTM oxygen index: > 28%
4. Insulation System: Class F 155°C. UL file E151556
5. Operating Temperature Range: All listed parameters are to be within tolerance from -40°C to +85°C
6. Storage Temperature Range: -55°C to +125°C
7. Aqueous wash compatible
8. SMD Lead Coplanarity: ±0.004" (0.102mm)
9. Moisture Sensitivity: Level 2
10. Electrical and mechanical specifications 100% tested
11. RoHS Compliant Component
12. Designed to comply with UL-1950, EN60950 with basic insulation and 250V working voltage

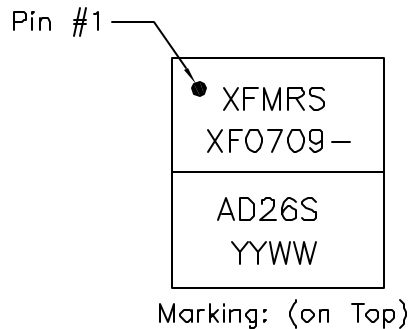
DOC. REV: A/1

## 2. Schematic:



## 3. Electrical Specifications: @25°C

- OCL: Pins 1-4 98uH±6% @10KHz 0.1V, Tie Pins 2-3
- LL: Pins 1-4 2.5uH Max @100KHz 0.1V, Tie Pins 2-3, 5-6-7-8
- THD: -80.0dB Max @50KHz, 5Vrms
- DCR: Pins 1-4 1.5 Ohms Max, Tie Pins 2-3
- DCR: Pins 8-6 1.8 Ohms Max, Tie Pins 5-7
- Turns Ratio: Pins (1-4):(8-6)=0.90:1±1%, Tie Pins 2-3, 5-7
- Hipot: 1875Vrms Typ, 1 min between PRI and SEC
- Cw/w: 40.0pF Max @100KHz, 0.1V
- Insertion Loss: 0.4dB Max @150-300KHz
- Insertion Loss: 0.5dB Max @1MHz
- Insertion Loss: 1.5dB Max @2MHz
- Longitudinal Balance: 50dB Min @20-1100KHz



|                                   |  |                   |           |
|-----------------------------------|--|-------------------|-----------|
| <b>XFMR5 Inc</b><br>www.XFMR5.com | Title: ADSL TRANSFORMER                |                   |           |
|                                   | UNLESS OTHERWISE SPECIFIED TOLERANCES: | P/N: XF0709-AD26S | REV. A    |
| .xx ±0.25                         | DWN.                                   | 罗振江               | Oct-26-04 |
| Dimensions in MM                  | CHK.                                   | 廖玉坤               | Oct-26-04 |
| SHEET 1 OF 1                      | APP.                                   | J Ng              | Oct-26-04 |

**PROPRIETARY**

Document is the property of XFMR5 Group & is not allowed to be duplicated without authorization.